

F4S 050 Series

Spin-On Filter Assembly



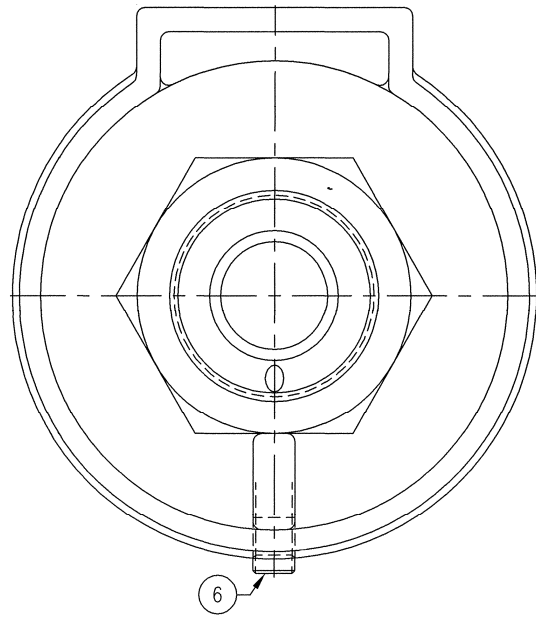
Parts Matrix

F4S050 Parts Matrix

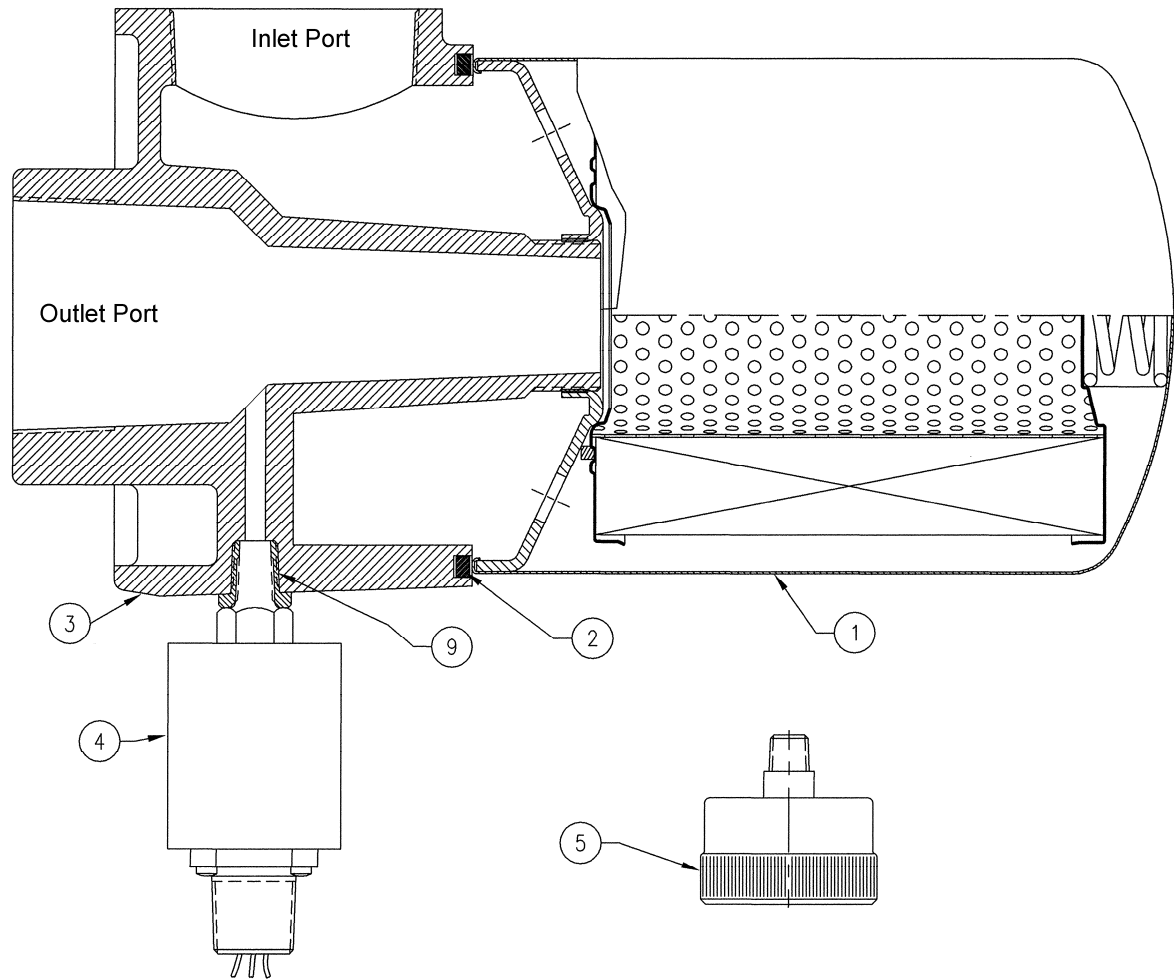
This F4S050 Spin-on assembly is designed for suction applications.
A 3 PSID bypass valve is built into the F4S-050 Spin-on elements.

| Item No. | Part Name | Buna Part Number | Viton Part Number | QTY | Comments and Notes |
|----------|------------------|-------------------------|-----------------------|------|-----------------------------|
| 1 | Spin-on element | See the F4S050 Brochure | | 1 | |
| 2 | Seal | CF-310-0001 | CF-320-0001 | Ref. | Comes with item #1 |
| 3 | Head | CF-110-9993 | Same as Buna Part No. | 1 | |
| 4 | Gauge, Vacuum | CF-400-0050 | Same as Buna Part No. | 1 | |
| 5 | Switch, Vacuum | CF-410-0010 | Same as Buna Part No | 1 | |
| 6 | Plug 1/4" NPT | 9327429 | Same as Buna Part No | | |
| 7 - 8 | Shipping plugs | | | N/A | Not shown |
| 9 | Bushing, reducer | CF-730-0099 | Same as Buna Part No | | 1/4" NPT to 1/8" NPT |

F4S050 Pictorial (To be used with F4S050 Parts Matrix)



Head shown with plug installed.



Assembly shown with vacuum switch installed.